



**TAS  
CIVIL  
PRODUCTS**

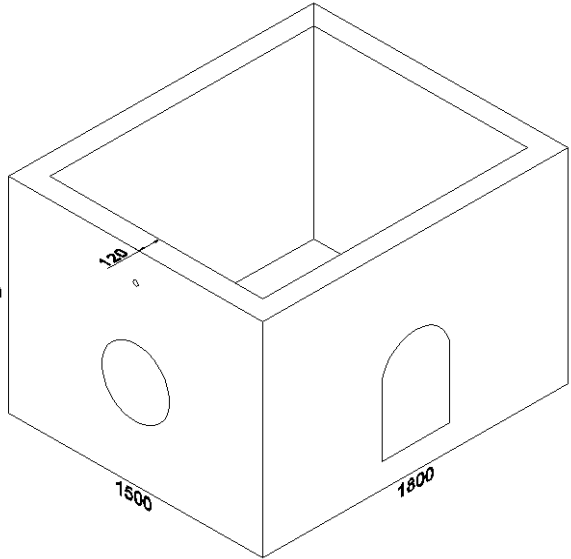
**Address** 82 Bundalla Road  
Margate TAS 7054

**Phone** 0428 870 677

**Email** admin@tascivil.com.au

**Website** www.tascivil.com.au

## Large Pits & Covers



### DESCRIPTION

### ITEM

ITEM	DESCRIPTION
LP1212	1200mm x 1200mm x 1220mm Pit With Base
LP1215	1500mm x 1200mm x 1220mm Pit With Base
LP1515	1500mm x 1500mm x 1220mm Pit With Base
LP1812	1800mm x 1200mm x 1220mm Pit With Base
LP1815	1800mm x 1500mm x 1220mm Pit With Base
LP1818	1800mm x 1800mm x 1220mm Pit With Base
LP2112	2100mm x 1200mm x 1220mm Pit With Base
LP2115	2100mm x 1500mm x 1220mm Pit With Base
LP2118	2100mm x 1800mm x 1220mm Pit With Base
LP2121	2100mm x 2100mm x 1220mm Pit With Base

- Pit Base & Lids Optional
- Risers Available For All Size Pits
- Block Outs Positioned As Desired To Meet Requirements
- All Measurements Are External
- Pit Wall Thickness 120mm
- Covers To Suit All Pits With Option Of Grate Or Cast Iron Lid



Tas Civil Products

Opening Hours:

Monday to Thursday 7:00am – 4:00pm. Friday 7:00am – 3:00pm.